

## DUCT FANS



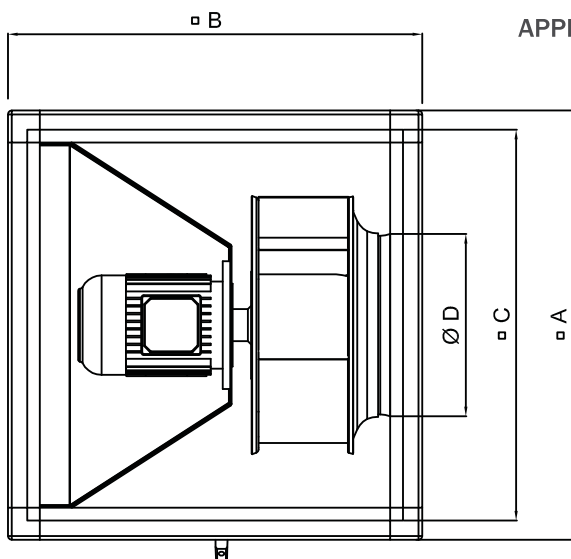
# BKEF-R

## AC KITCHEN EXHAUST FANS Backward Curved

Removable panels provide flexibility on air flow direction.  
Suitable mounting at each mounting position.  
Safe and no maintenance needed.  
120°C

### Technical Drawings

- MATERIAL** : Housing and backward inclined impeller is made of galvanized sheet metal.
- INSULATION CLASS** : Class F
- DIRECTIVE** : EN 60335-1, EN 60335-2-80
- SPEED CONTROL** : Speed can be adjusted using an optional controller.
- APPLICATION AREAS** : Kitchen exhaust applications, hotels, carparking areas, buildings, shopping malls etc.



### Accessories



**BSC-F**



**BDEB**



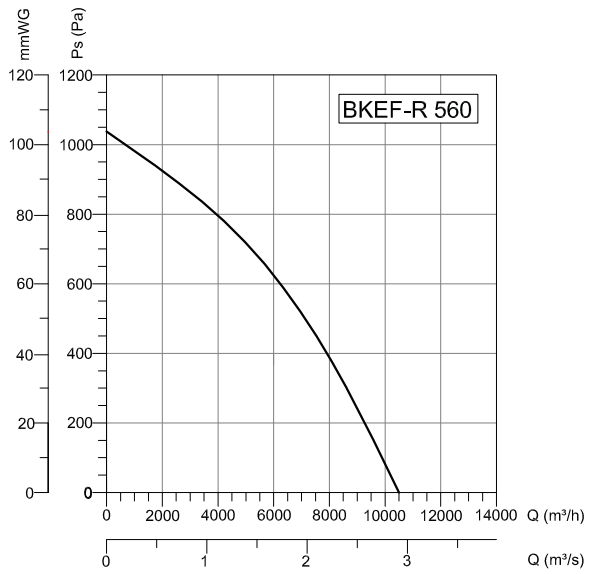
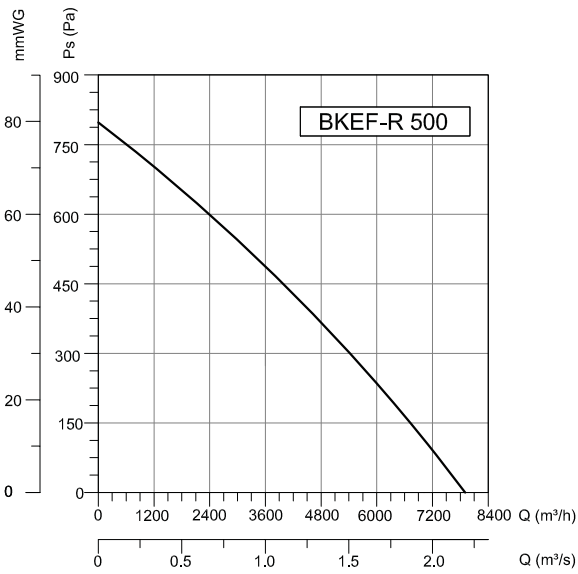
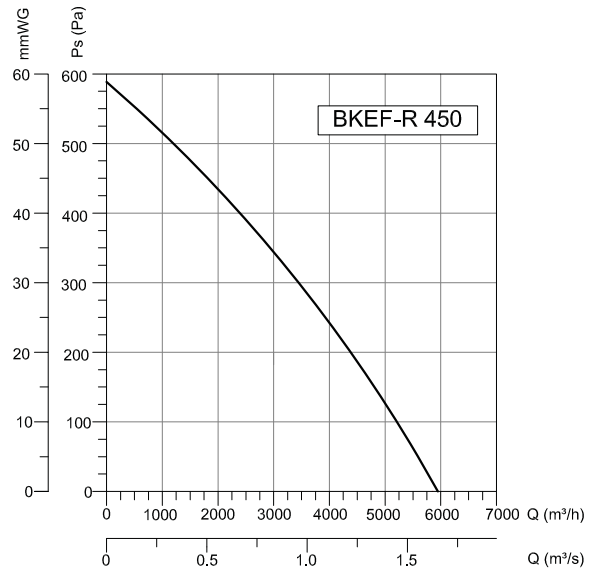
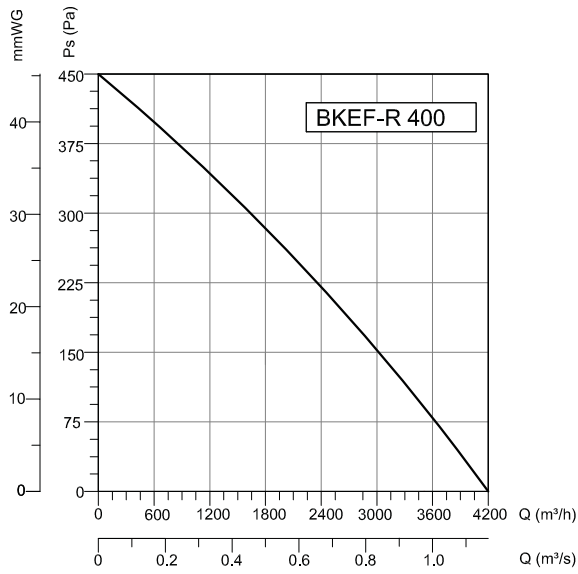
**BDH**



**BDKS**

TYPE	A	B	C	D
BKEF-R 400	670	670	610	270
BKEF-R 450	670	670	610	282
BKEF-R 500	670	670	610	320
BKEF-R 560	800	800	740	360

Dimensions are in (mm)



TYPE	VOLTAGE	FREQUENCY	POWER	CURRENT	SPEED	AIR FLOW	SOUND PRESSURE LEVEL	WEIGHT
	V	Hz	kW	(A)	d/d	m³/h	dB(A)	kg
BKEF-R 400	230/380	50	0,55	3,3/1,5	1400	4000	55	42
BKEF-R 450	230/380	50	0,75	4,6/2	1400	6000	57	55
BKEF-R 500	230/380	50	1,1	7,1/2,6	1400	8200	62	70
BKEF-R 560	230/380	50	1,5	9,3/3,5	1400	10500	70	95

DUCT FANS

ROOF FANS

AXIAL FANS

RADIAL FANS

PLASTIC FANS

VENTILATORS

SMOKE EXHAUST SYSTEMS

ACCESSORIES